

# *ElNet* <sup>Pic</sup> Energy meter & Electrical Powermeter



ElNet-Pic energy powermeter is a compact, multi functional, three-phase powermeter, especially designed to meet the stringent needs of power and energy measurement in any electrical installation.

ElNet-Pic includes history data logging and supports standard communication protocols BACnet and Modbus with simple integration into Building Management Systems over RS485.

An indispensable tool for the Building Engineer, it aids efficient use of electricity by showing Power Factor, Max and Min demand, active and reactive energy and much more.

## Technical Data

Power Requirements:	90 ~ 250 VAC 110 ~ 280 VDC 60/50 Hz 8VA
Dimensions (HxWxD):	96 x 76 x 57 mm
Shipping Weight:	0.45 Kg.
Environmental:	
Operation.	-20 ~ +70 °C
Storage.	-20 ~ +70 °C
Humidity	0 ~ 95 RH% non-condensing
Front Panel Protection	IP33

## Communication

RS485 port:	Up to 38400 bauds Modbus and BACnet
-------------	--

## Input & Output Rating

Accuracy:	Active energy 0.2% Reactive energy 0.2%
Voltage: Line-Line	0 ~ 650 VAC RMS
Line-Neutral	0 ~ 650 VAC RMS
Maximum Burden	1000V RMS Continuous < 0.06VA
Current: Rated	0-1 A or 0-5 A
Overload	50 A RMS Continuous
Withstand Burden	100 A for 1 minute < 0.05VA
Display:	2x12 text LCD display.
Maximum Input Voltage:	1000V
Maximum Input Current:	6A/763A

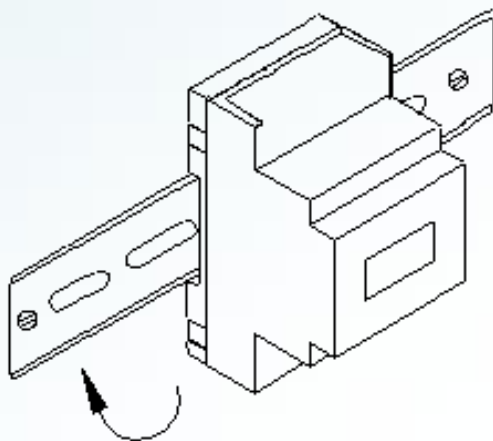
# *ElNet* <sup>Pic</sup> Energy meter & Electrical Powermeter

## Measurement & Display Values

Measurement Parameter	Display Range in direct connection (scaling factor 1)	Measuring in direct connection (scaling factor 1)	Display Range
Current 5/60	0.0001 – 6A / 0.0001 – 72A	0.0001 – 6A / 0.0001 – 72A	0.0001 – 99999KA
Neutral Current (calculated)	0.0001 – 6A / 0.0001 – 72A	0.0001 – 6A / 0.0001 – 72A	0.0001 – 99999KA
Voltage L-N	0.0001 – 550 V	0.0001 – 550 V	0.0001 – 99999KV
Voltage L-L	0.000 – 550 V	0.000 – 550 V	0.0001 – 99999KV
Frequency (Hz)	45-65 Hz	45-65 Hz	45.001-65.001 Hz
Active power total\phase			0.0000W – 99999KW
Reactive power total\phase			0.0000VAR - 99999KVAR
Apparent power total\phase			0.0000VA - 99999KVA
Power Factor (cap.\ind.)	-1.0000 ÷ 1.0000	-1.0000 ÷ 1.0000	-1.0000 ÷ 1.0000
Active Energy total\phase			0.000001WH – 9999999 KWH
Reactive Energy total\phase			0.000001VARH - 9999999 KVARH
Apparent Energy total\phase			0.000001VAH - 9999999 KVAH

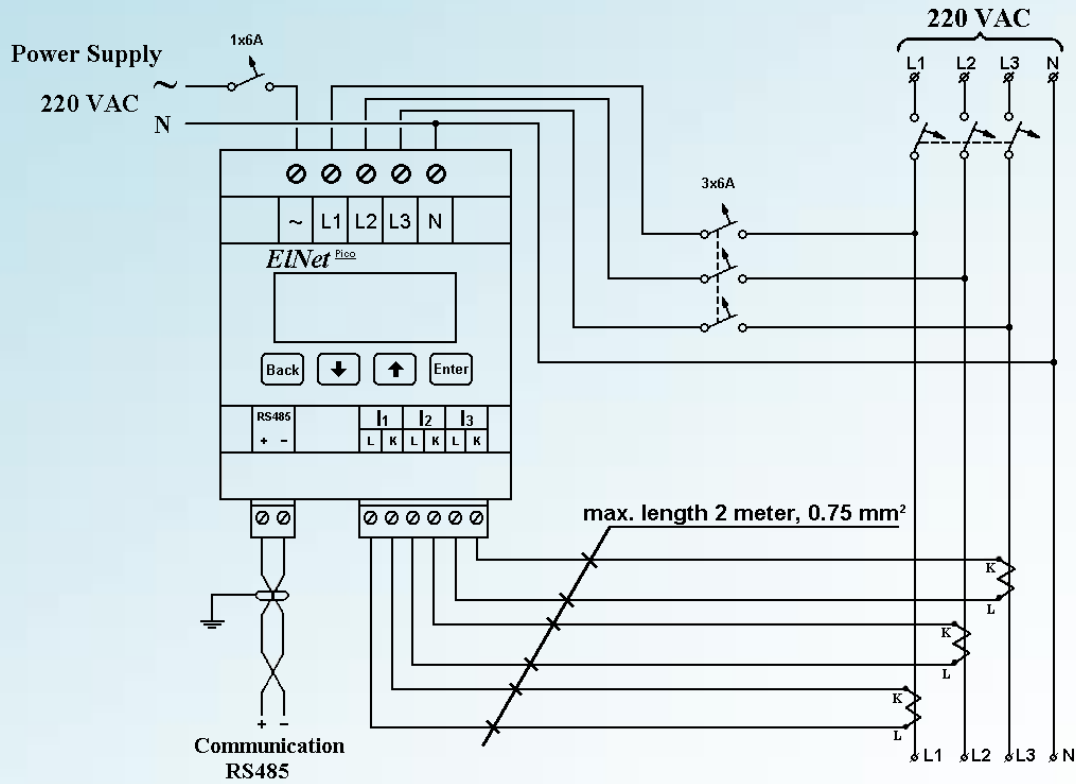
## Standards

EN 55022, Class A, Amendments A1; A2  
 EN 55024, Amendments A1; A2  
 EN 61000-3-2, Class A  
 EN 61000-3-3, Amendment A1  
 IEC 61000-4-2  
 IEC 61000-4-3  
 IEC 61000-4-4  
 IEC 61000-4-5  
 IEC 61000-4-6  
 ICE 61000-4-11

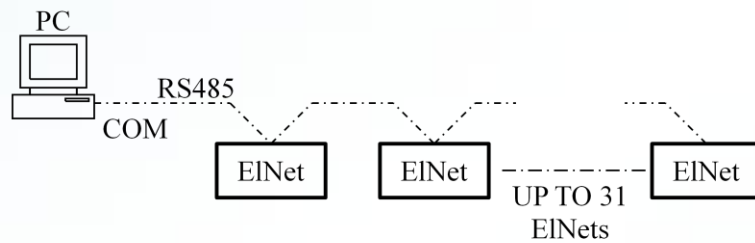


**Mechanical mounting – Din rail installation**

## Wiring Diagram Example



## Communication Diagram Example



----- RS485 (Shielded & Grounded)